

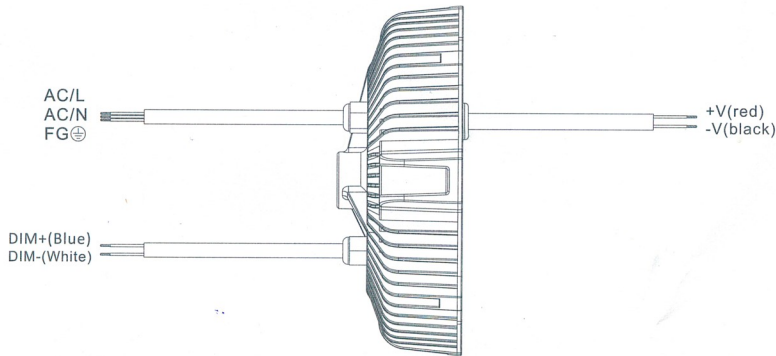
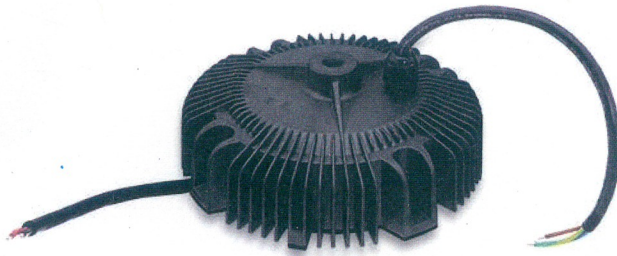


INNOVATIVE LED LIGHTING

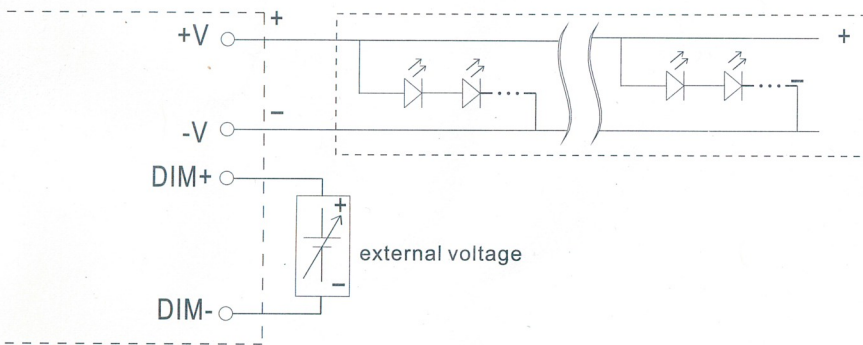
LED HIGHBAY LIGHT



1-10V Dimmable Driver



- Contact DIM+and DIM- with 1-10V dimmer
- Can't be connected with 230V voltage directly.



Can't contact "DIM-" with "-V"

