



SAFETY PRECAUTIONS

When using electrical appliances, basic safety precautions should always be followed. These instructions should be saved for future reference:

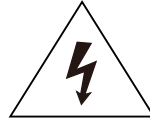
- Read and familiarise yourself with all operating instructions before using this Pedestal Fan.
 - Before plugging your unit into the mains, visually check that the unit is intact and has not suffered any transit damage.
 - Do not use this product with a programmer, timer, separate remote-control system or any other device.
 - Check that the voltage indicated on the data plate corresponds with that of the local network before connecting the appliance to the mains power supply.
 - This appliance can be used by children aged from 8 years and above and persons with reduced physical, sensory or mental capabilities or lack of experience and knowledge if they have been given supervision or instruction concerning use of the appliance in a safe way and understand the hazards involved. Children shall not play with the appliance. Cleaning and user maintenance shall not be made by children without supervision.
 - This appliance is not intended for use by persons (including children) with reduced physical, sensory or mental capabilities, or lack of experience and knowledge, unless they have been given supervision or instruction concerning use of the appliance by a person responsible for their safety. And Children should be supervised to ensure that they do not play with the appliance
-

-
- Do not immerse the appliance or its cord in water or any other liquids.
 - Do not leave the appliance unattended during use.
 - Do not leave the appliance unattended whilst connected to the mains supply.
 - Always use this appliance on a solid, level, surface.
 - Do not use this appliance outdoors.
 - It is imperative to unplug the power cord after the appliance has been used, before it is cleaned and whilst being repaired.
 - Repairs to electrical appliances should only be performed by a qualified electrician. Improper repairs may place user at serious risk.
 - Do not operate this appliance with a damaged plug or cord, after a malfunction or after being dropped or damaged in any way.
 - Regular, periodic checks should be carried out on the mains cable to ensure no damage is evident. Should there be any signs of damage the appliance should not be used.
 - If the power cable is damaged, it should only be replaced by the manufacturer or a suitable qualified after-sales-service in order to avoid a hazard.
 - Do not allow the mains cable to hang over sharp edges or come in contact with hot surfaces.
 - Do not run the mains cable under carpets, rugs, etc.
 - This appliance is intended for household use only and should not be used for industrial purposes.
 - Do not use any accessories or attachments with this appliance other than those supplied or recommended by the supplier.
 - Do not use this appliance for anything other than its intended use.
-

-
- Do not push objects (including fingers) into the fan grill or any openings as this could risk injury, damage to the appliance and/or electric shock.
 - Unplug after each use. Grasp the plug, not the cord.
 - Please make sure to turn off the power before starting the installation.
 - Installation should only be done by a certified electrician.



This marking indicates that this product should not be disposed of with other household wastes.



Caution, risk of electric shock.

INTRODUCTION & WARRANTY

Thank you for selecting and buying V-TAC product. V-TAC will serve you the best. Please read these instructions carefully before starting the installation and keep this manual handy for future reference. If you have any another query, please contact our dealer or local vendor from whom you have purchased the product. They are trained and ready to serve you at the best. The warranty is valid for 2 years from the date of purchase. The warranty does not apply to damage caused by incorrect installation or abnormal wear and tear. The company gives no warranty against damage to any surface due to incorrect removal and installation of the product. The products are suitable for 10-12 Hours Daily operation. Usage of product for 24 Hours a day would void the warranty. This product is warranted for manufacturing defects only.

WEEE Number: 80133970

INSTRUCTION MANUAL

STAND FAN



VT-4016-3



VT-5016-5

TECHNICAL DATA

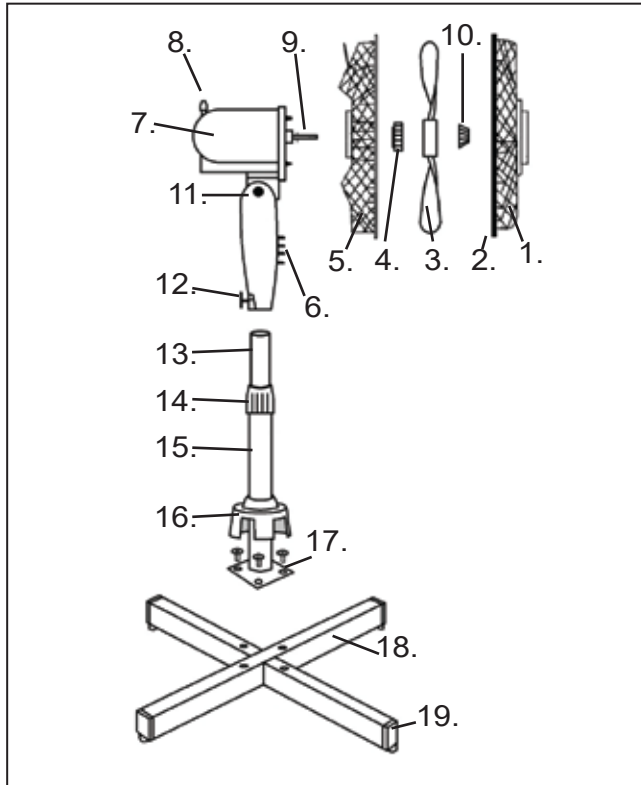
VT-4016-3	VT-5016-5
• 40 Watts	• 55 Watts
• 16" STAND FAN	• 16" STAND FAN
• AC: 220-240V~50/60Hz 40W	• AC: 220-240V~50/60Hz 55W
• 3 speed control	• 3 speed control
• Oscillation function	• Oscillation function
• 1.2m height	• 1.25m height
• 600mm Cross Base	• 410mm Round Base
• GW:2.6KGS	• GW:4.3KGS
• Size:600 × 600 × 120mm	• Size:430 × 410 × 120mm

MULTI-LANGUAGE MANUAL QR CODE



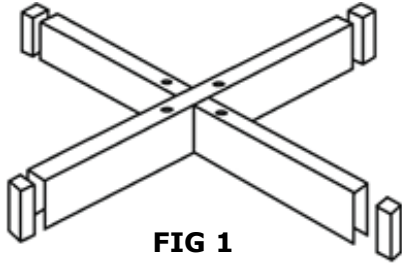
Please scan the QR code to access the manual in multiple languages.

DESCRIPTION OF PARTS

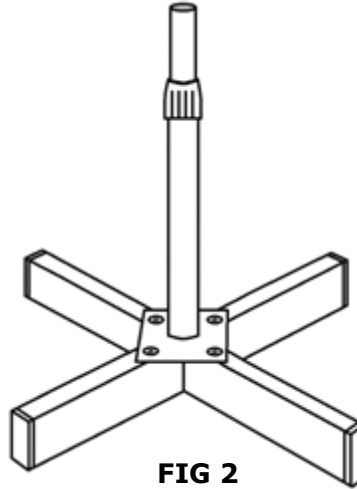


1. Front Guard
2. Guard Nut and Screw
3. Fan Blade
4. Rear Guard Central Fixing Nut
5. Rear Guard
6. Speed Control Switches
7. Motor Housing
8. Oscillation Control
9. Motor Spindle
10. Blade Retaining Nut
11. Pivot Screw
12. Pole Retaining Screw
13. Adjustable Pole
14. Pole Clamp
15. Lower Base Pole
16. Screw Cover
17. Base Fixing Screws
18. Base
19. Base End Caps

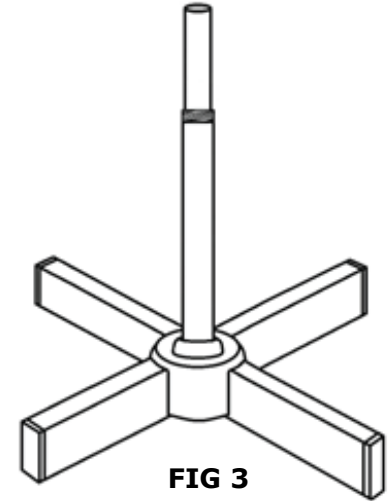
PRODUCT ASSEMBLY



Step 1. Take the two base cross members (18) and push the 4 base end caps (19) into the ends if not already fitted and then cross them over together.



Step 2. Remove the four screws from the two base members and attach the lower base pole (15) to the base using a pozidrive screwdriver (not supplied).



Step 3. Unscrew and remove the pole clamp (14 – shown in step 2 above) and slide the screw cover (16) down over the adjustable and lower base pole (13 & 15) until it is in place over the screws.

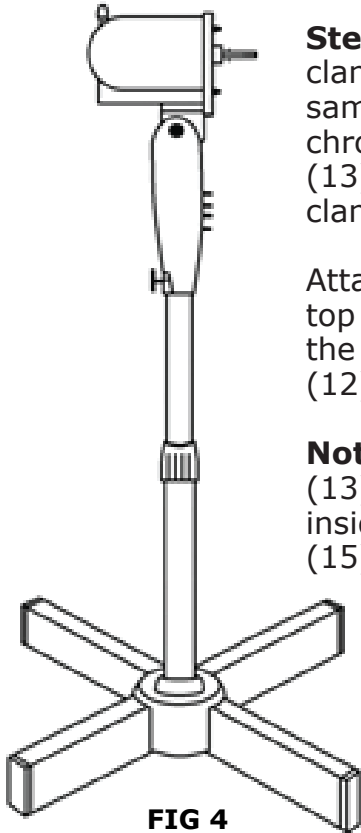


FIG 4

Step 4. Replace the pole clamp (14) and at the same time raise the chrome adjustable pole (13) then tighten the clamp (14).

Attach the fan assembly on top of the pole and tighten the pole retaining screw (12).

Note: the adjustable pole (13) can sometimes slip inside the lower base pole (15) during transit.



FIG 5

Guard locating pins

Step 5. Note the Rear Guard locating pins on the Motor Housing (7).



FIG 6

Step 6. Place the rear guard (5) over the pins on the motor housing (7) and replace the Rear Guard Central Fixing (4) nut by screwing it back clockwise.

Note: the carry handle is at the top:



FIG 7



FIG 8



FIG 9

Step 7. Take the fan blade (3) and slide it onto the motor spindle (9) ensuring that notches on the rear of the fan blade line up with the splines on the spindle.

Note: Rear Guard removed for clarity (see figure 7).

Step 8. Secure the fan blade to the motor spindle by screwing on the Blade Retaining Nut (10) in an anticlockwise direction.

Note: the retaining nut is reverse threaded (see figure 8).

Step 9. Remove the small Guard Nut & Screw (2) from the front guard (1) (see figure 9).



FIG 10

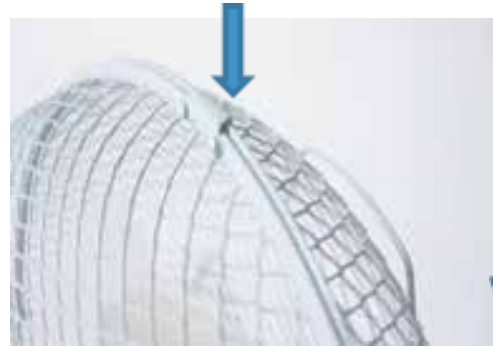


FIG 11



FIG 12

Step 10. Move the clips around the outside edge of the front guard outwards (see figure 10).

Step 11. Hang the front guard (1) over the top of the rear guard (5) (see figure 11).

Step 12. Bring the front guard down to meet the rear guard and push the clips inwards until the front guard is fastened to the rear guard (see figure 12).

Step 13. Finally fit the guard nut and screw (arrowed) through the holes in the bottom edge of the guards and tighten with a suitable pozidrive screwdriver (not supplied).

Note: this screw and nut must be fitted so that the guard cannot be removed (see figure 13).



FIG 13

OPERATING INSTRUCTIONS

- Place the fan in the desired position ensuring that it is level and stable.
- If desired, the fan guard can be tilted up and down to alter the direction of the airflow.

Note: do not adjust the fan whilst connected to the mains and/or switched on.

Slacken the Pole Clamp (14) and adjust the fan to the desired height using the Adjustable Pole (13), tighten the pole clamp once the desired height is set.

Note: the adjustable pole (13) can sometimes slip inside the lower base pole (15) during transit. Press the '0' button on the pedestal to ensure the fan is off.

Insert the mains plug into the nearest socket.

- Press the 1 button for fan low speed.
- Press the 2 button for fan medium speed
- Press the 3 button for fan high speed

Note: Press the '0' button to switch off the fan.

MAKING YOUR FAN OSCILLATE FROM SIDE TO SIDE

- Press the oscillation control (8) down to enable the fan to oscillate from side to side.
- Pull the control up to stop the fan oscillating.

CARE AND USE OF YOUR FAN

- Ensure that the fan is not connected to the mains supply before cleaning.
- Wipe the fan body with a clean, soft damp cloth.
- Do not immerse the fan or its cord in water or any other liquid.

In case of any query/issue with the product, please reach out to us at: support@v-tac.eu For More products range, inquiry please contact our distributor or nearest dealers. V-TAC EUROPE LTD. Bulgaria, Plovdiv 4000, bul.L.Karavelow 9B
