



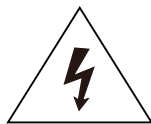
WARNING:

- The input voltage for this fan should be 220V, 50Hz
 - Electrical installation should be performed by a qualified electrician.
 - To reduce the risk of electric shock, ensure electricity has been turned off before assembling or disassembling. The assembling wire order must be Ground wire, live (supply) wire /neutral wire, and the disassembling wire order should be neutral wire/ live (supply) wire, ground wire.
 - Make sure all assembled screws were tight during the assembling.
 - To reduce the risk of injury, do not touch the blade when the fan is running.
 - The appliance is not intended to be used by children under the age of 8. It can be used by children over the age of 8, as long as they are given continuous supervision.
 - This appliance is not intended to be used by persons with reduced physical, sensory, or mental capabilities, or lack of experience or knowledge, unless they have been given supervision or instruction concerning the use of the appliance in a safe way by a person responsible for their safety, and understand the hazards involved.
 - Supervise young children to make sure that they do not play with the appliance. Close supervision is necessary when the appliance is being used by or near children.
 - Keep the appliance and its cord out of reach of children under the age of 8.
 - Do not try to repair the appliance by yourself. Contact the official Technical Support Service for advice.
 - Cleaning and maintenance must be carried out according to this instruction manual to make sure the appliance functions properly. Turn off and unplug the appliance before cleaning it.
 - Proper grounding should be ensured throughout the installation.
 - Installation should only be done by a certified electrician.
-

-
- This appliance can be used by children aged from 8 years and above and persons with reduced physical, sensory or mental capabilities or lack of experience and knowledge if they have been given supervision or instruction concerning use of the appliance in a safe way and understand the hazards involved. Children shall not play with the appliance. Cleaning and user maintenance shall not be made by children without supervision.
 - If unusual oscillating movement is observed, immediately stop using the ceiling fan and contact the manufacturer, its service agent or suitably qualified persons.
 - The replacement of parts of the safety suspension system device shall be performed by the manufacturer, its service agent or suitably qualified persons.
 - The mounting of the suspension system shall be performed by the manufacturer, its service agent or suitably qualified person.
 - The minimum distance between the fan blades and the floor must be 2.3 m. The minimum carrying capacity of the outlet box from which the fan is hung must be 45 kg.
 - Please make sure to turn off the power before starting the installation.
 - The light source of this luminaire is not replaceable, when the light source reaches its end of life the whole luminaire should be replaced.



This marking indicates that this product should not be disposed of with other household wastes.



Caution, risk of electric shock.

MULTI-LANGUAGE MANUAL QR CODE



Please scan the QR code to access the manual in multiple languages.

INSTRUCTION MANUAL

DECORATIVE CEILING FANS (VT-3042-3)



TECHNICAL DATA

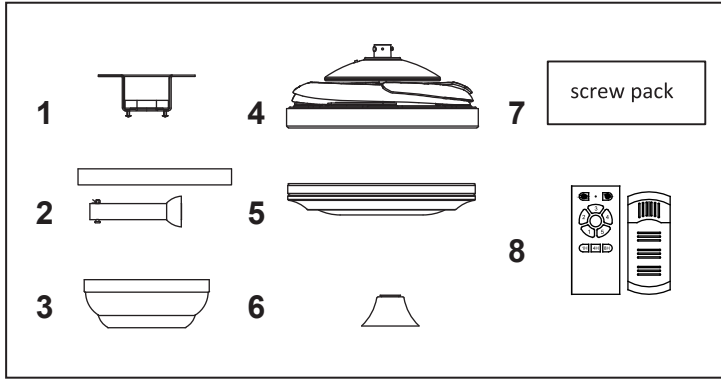
- 1) 42" (107CM) Decorative ceiling fan
- 2) With forward and reverse function
- 3) 3 PC Plastic blades
- 5) DC powerful motor:153 × 15mm, 2.3kg
- 6) Revolutions per minute:220±10 RPM
- 7) Blade angle 13°
- 8) 5 speeds and light remote control
- 9) LED 30W 3in1 CCT
- 10) Power:220V,50HZ,35W (motor)
- 11) G.W.: 9.8KG / N.W.: 9.1KG

INTRODUCTION & WARRANTY

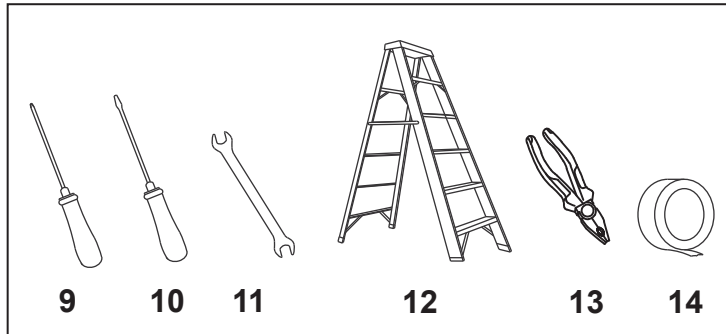
Thank you for selecting and buying V-TAC product. V-TAC will serve you the best. Please read these instructions carefully before starting the installation and keep this manual handy for future reference. If you have any another query, please contact our dealer or local vendor from whom you have purchased the product. They are trained and ready to serve you at the best.

The warranty is valid for 2 years from the date of purchase. The warranty does not apply to damage caused by incorrect installation or abnormal wear and tear. The company gives no warranty against damage to any surface due to incorrect removal and installation of the product. The products are suitable for 10-12 Hours Daily operation. Usage of product for 24 Hours a day would void the warranty. This product is warranted for manufacturing defects only.

PARTS AND COMPONENTS



Tools and material required (not included)



1. Mounting bracket
2. Down rod
3. Canopy
4. Fan body
5. Lampshade
6. Connector
7. Screw pack
8. Remote control
9. Screwdriver
10. Flat-blade screwdriver
11. 14 wrench
12. Herringbone ladder
13. Tape Pliers
14. Electrical tape

IMPORTANT NOTES:

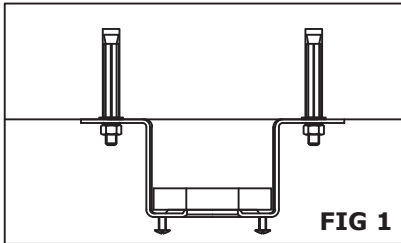
1. FAN WILL NOT START

- Check the wire connections to the fan, ensure they are all correct.
- Check and ensure the input wattage is correct to be 220V/50HZ.

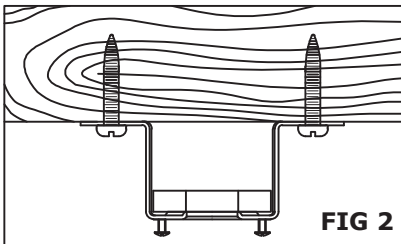
2. THAN FAN SOUNDS NOISY

- Make sure all assembled screws are tight.
- Make sure wire nut connections are not rubbing against each other or the interior wall of the switch housing.

STEP 1. MOUNTING BRACKET INSTALLATION



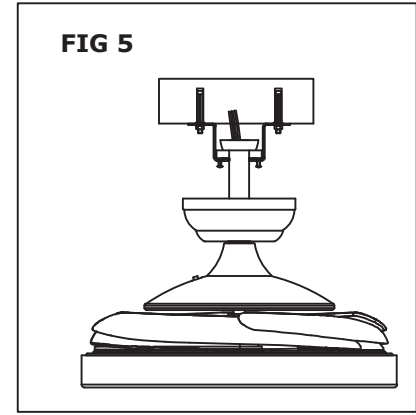
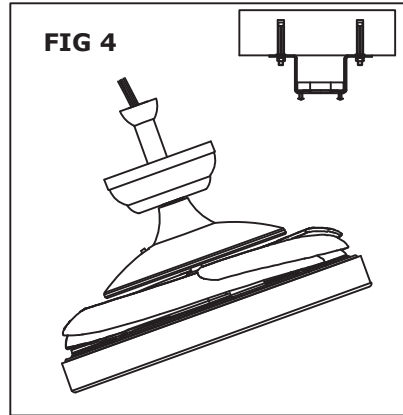
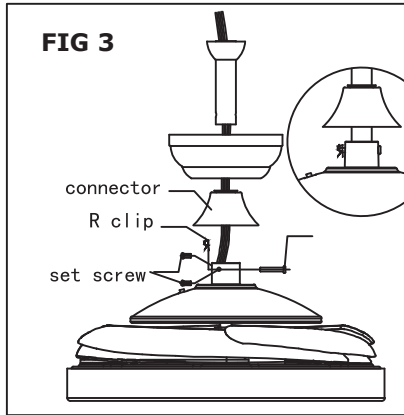
- Concrete ceiling: Drill two holes with an appropriate depth by a drilling bit with dia. At 8mm, and insert two pieces expansion screws in the holes, then fix the hanger bracket into the expanding screws with the wood screws and tighten it by the nuts of the expansion screws (Fig. 1).



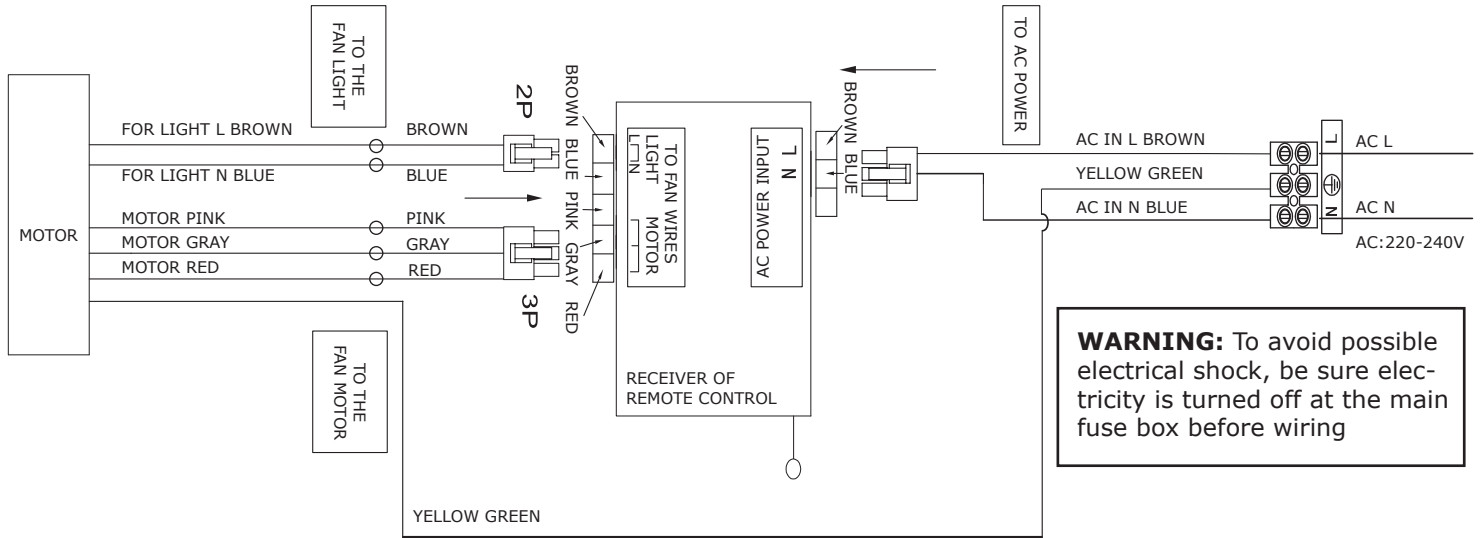
- Wood ceiling: Fix the mounting bracket to the wood ceiling with (thickness at 7cm at least) by 4 wood screws (Fig. 2).

STEP 2. INSTALLATION OF THE HANGER SYSTEM

- Get off the pin from the downrod by removing the R clip, and get the lead wire through the downrod, canopy and the connector, then seat the downrod into the fan body & rotate the the downrod until the holes on the downrod will match with the holes on the fan body, finally, you should get the pin through the holes and fix the pin by the R clip by another side (Fig. 3).
- Place the downrod with hanger ball into the mounting bracket, rotate the motor assemble until the "Tab" on the mounting bracket has dropped into the "Registration Slot" on the hanging ball and seat firmly (Fig. 4 & 5).



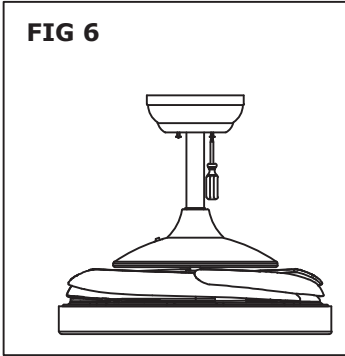
STEP 3. WIRING DIAGRAM



Connect 220-240V main power (dwelling) to the Terminal Block located on the hanger bracket. Plug the receiver in the hanger bracket with the flat side facing up.

- Insert the 3P connector of hanger bracket into the AC POWER INPUT socket of receiver
- Insert the 2P light connector of fan motor assembly into the 2P LIGHT socket of receiver
- Insert the 3P motor connector of fan motor assembly into the 3P MOTOR socket of receiver
- Connect the yellow/green connectors of fan motor assembly and hanger bracket.

FIG 6



Lift up the canopy to the ceiling for covering the mounting bracket(make sure the canopy will seat into the two screws on the bracket), rotate the canopy to ensure the screw head are at the narrow end of the key holes, tighten the screws (Fig. 6).

STEP 4. INSTALL THE GLASS

- Make sure the key slot on the light glass is in the same line with the key slot on the fan body, then rotate the glass clockwise slightly until the glass is firmly locked (Fig. 7 & 8).

FIG 7

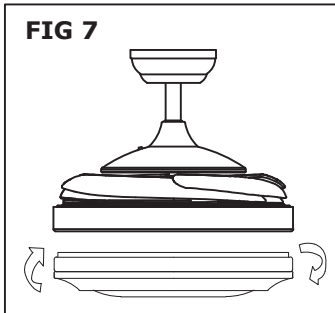
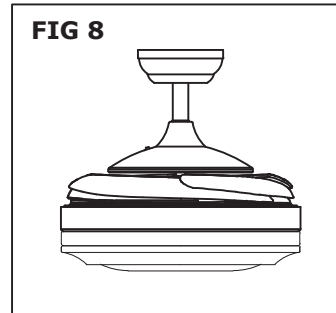
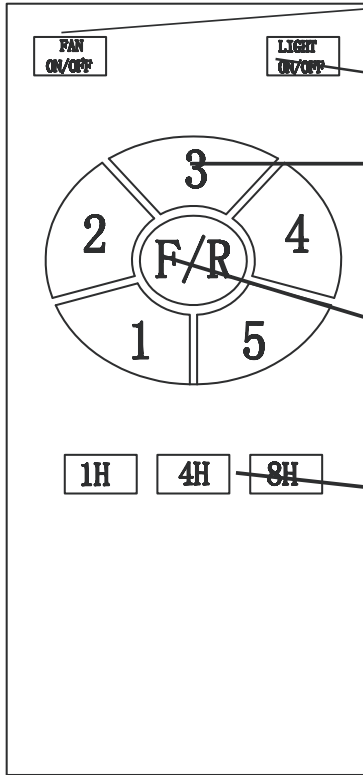


FIG 8





FAN ON/OFF

LIGHT ON/OFF

Fan Speed

1 - Highest speed

5 - Lowest speed

Reverse Function

Controls the Fan
Direction

Timer

1H-Fan auto turn
off after 1 hour

4H-Fan auto turn
off after 4 hours

8H-Fan auto turn
off after 8 hours

REMOTE CONTROL SETTING OPERATION

1. Restore electrical to the outlet box by turning the electricity on at the main fuse box.

2. Remove the battery cover from the remote control transmitter, install the battery, and replace the cover.

Note:

1). Use 1 12V battery to replace battery.

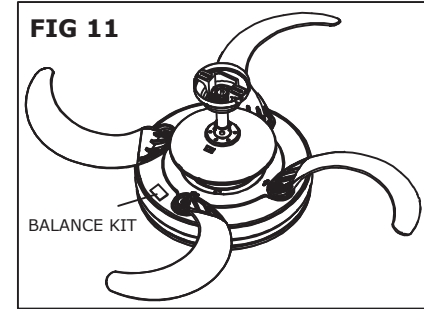
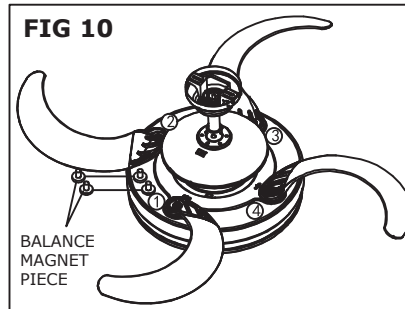
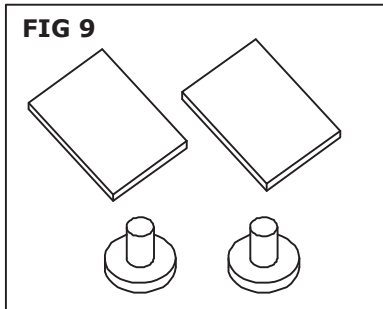
2). If not using for long periods of time, remove the battery to prevent damage to the remote transmitter, and store the remote transmitter away from excess heat or humidity.

3. The buttons on the remote control transmitter control the fan speed and light as follows.

STEP 5. BALANCE ADJUSTMENT FOR THIS "INVISIBLE" FAN

Affect during the long distance transportation. So please re-balance the fan according to the following steps if you found the fan has got the noticeable wobble problem after your final assembly:

- Take out the balance kit pack from the package, and stick two balance magnet pieces on any one place marked digit shown on Figure 10, and turn on the fan to check if the wobble problem is still noticeable. Repeat this until found the place which will solve the wobble problem (Fig.10).
- Take off the balance magnet pieces and peel a balance kit to stick on instead (Fig.11).



In case of any query/issue with the product, please reach out to us at: support@v-tac.eu For More products range, inquiry please contact our distributor or nearest dealers. V-TAC EUROPE LTD. Bulgaria, Plovdiv 4000, bul.L.Karavelow 9B