



Meaningful Innovation.

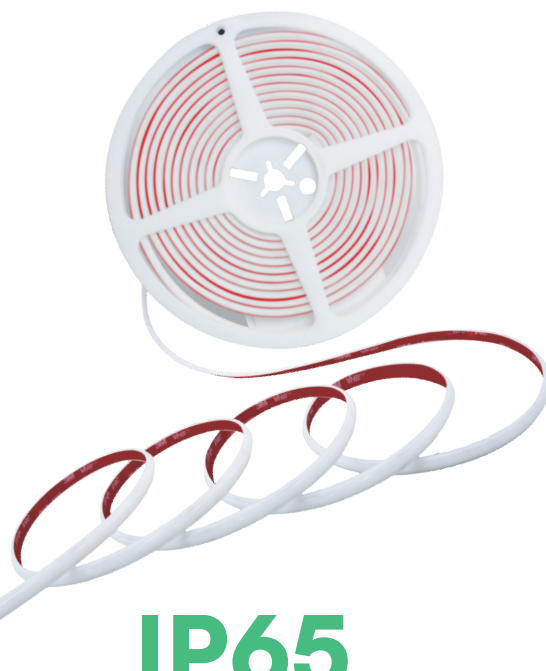
WEEE Number: 80133970

INSTRUCTION MANUAL

220V LED STRIP LIGHT

TECHNICAL DATA

MODEL	VT-2835-121			VT-2025-286	
SKU	23724	23725	23726	23715	23721
LED COLOR	RED	BLUE	GREEN	3000K	
LENGTH (ROLL)	10M			5M	50M
LUMENS/M	1100LM				
POWER/M	10.5W			12.5W	
BEAM ANGLE	120°				
CHIP TYPE	2835 SMD			2025 SMD	
LED COUNT	120 LEDs/M			286LEDs/M	
PCB WIDTH	8mm				
CURRENT/M	0.044A			0.052A	
DP	0.9				
CRI	≥80				
PROTECTION CLASS	Class II				
INPUT VOLTAGE	AC: 220-240V, 50/60Hz				
WORKING TEMPERATURE	-20°C to +40°C				



**IP65
RATING**



PLUG & PLAY

INTRODUCTION

Thank you for selecting and buying V-TAC product. V-TAC will serve you the best. Please read these instructions carefully before starting the installation and keep this manual handy for future reference. If you have any another query, please contact our dealer or local vendor from whom you have purchased the product. They are trained and ready to serve you at the best. The warranty does not apply to damage caused by incorrect installation or abnormal wear and tear. The company gives no warranty against damage to any surface due to incorrect removal and installation of the product. The products are suitable for 10-12 Hours Daily operation. Usage of product for 24 Hours a day would void the warranty. This product is warranted for manufacturing defects only.



MULTI-LANGUAGE MANUAL QR CODE

Please scan the QR code to access the manual in multiple languages.



FR

Les ampoules
et tubes
se recyclent

À DÉPOSER
EN MAGASIN



À DÉPOSER
EN DÉCHÈTERIE



Points de collecte sur www.quefairedemesdechets.fr

In case of any query/issue with the product, please reach out to us at: support@v-tac.eu

For More products range, inquiry please contact our distributor or nearest dealers.

V-TAC EUROPE LTD. Bulgaria, Plovdiv 4000, bul.L.Karavelow 9B

WARNING

1. Please make sure to turn off the power before starting the installation.
2. The light source of this luminaire is not replaceable, when the light source reaches its end of life the whole luminaire should be replaced.

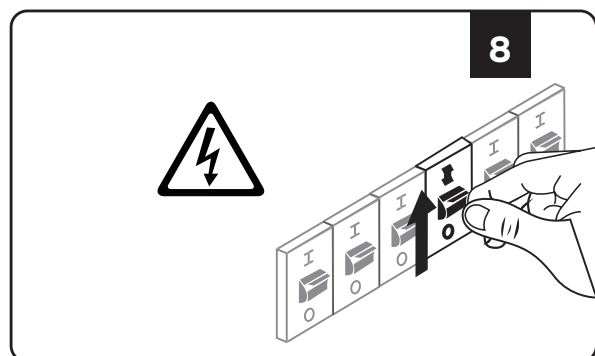
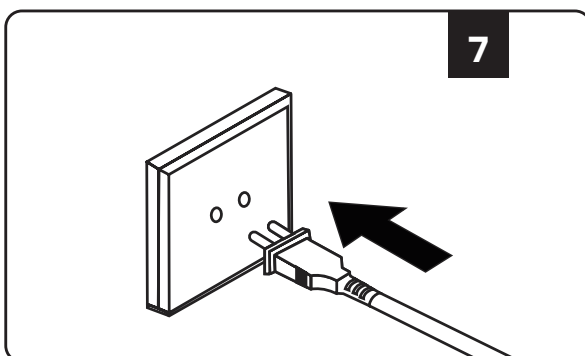
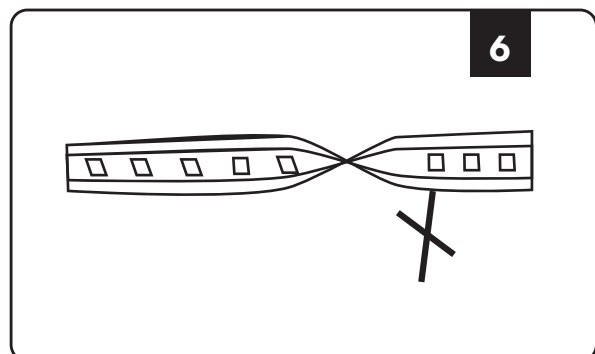
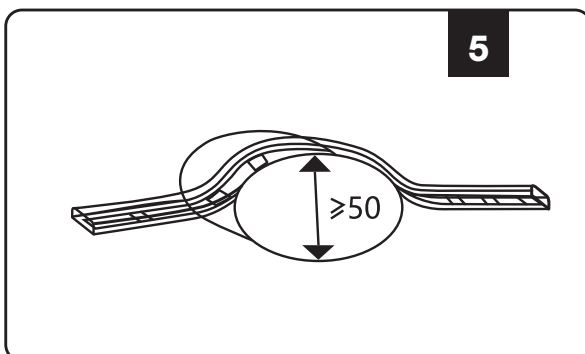
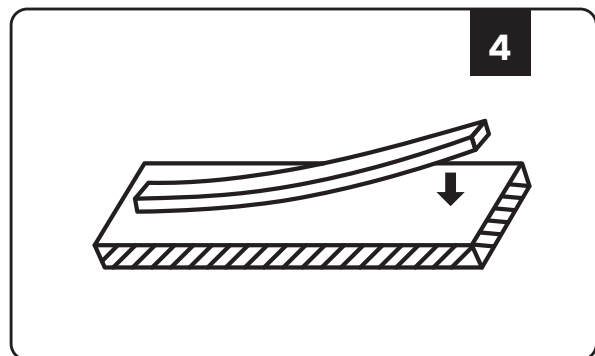
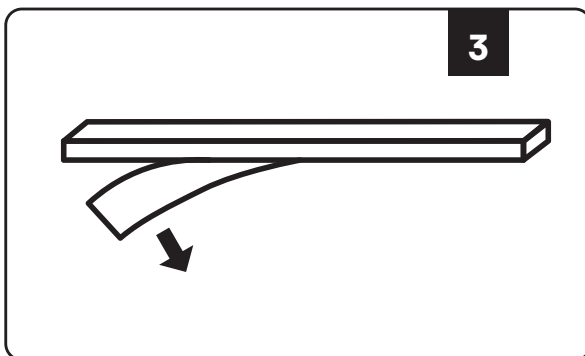
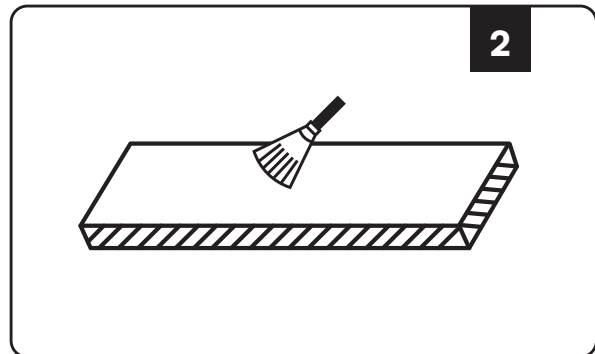
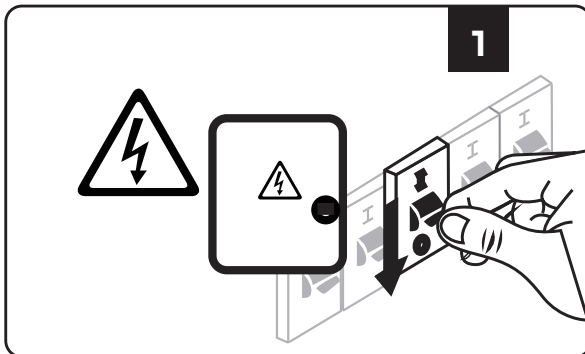


This marking indicates that this product should not be disposed of with other household wastes.



Caution, Risk of electric shock

INSTALLATION DIAGRAM



INSTALLATION INSTRUCTIONS

1. Ensure that the power supply is fully disconnected before proceeding with installation or maintenance.
2. Prior to installation, clean the surface where the light strip will be applied. Remove the adhesive backing from the light strip and adhere it to the prepared surface.
3. During installation, avoid excessive bending of the light strip. The minimum allowable bending radius is 50mm.
4. Connect the light strip's plug (Plug included) to an AC supply.
5. Turn on the power and test the light strip.

ATTENTION!

- Only the power chord (supplied with the strip) should be used for installation.
- Do not interrupt or guide the tape with other connectors.
- Cutting or bending the strip will increase the risk of electric shock.
- The strip is powered with 220V AC. Unroll the entire strip before turning on, to avoid overheating.

SAFETY INSTRUCTIONS AND WARNINGS

- Ensure that the power is turned off before beginning the installation process.
- The LED strip light must not be folded or twisted during installation. Do not turn on the power until the LED strip light is properly connected and securely installed.
- Do not touch or cut the LED strip light while it is powered on.
- Do not power the LED strip light while it is still in its roll or packaging.
- Avoid installing the LED strip light in wet or flammable environments, and ensure that the installation area is well-ventilated.
- Do not wrap or cover the LED strip light with any objects.
- Cutting the LED strip light will void its IP rating and compromise its protection against dust and moisture.

MAINTENANCE REMARKS

- Cleaning: Use a dry, soft cloth for cleaning the LED strip light.
- Power Off: Ensure the LED strip light is switched off and the plug is disconnected from the outlet before cleaning.
- Cooling: Allow the lamp to cool down before cleaning if it has been in use and is still warm.
- Safety: Adhere to general safety precautions during cleaning and exercise caution at all times.

SAFETY REMARKS

- Child Safety: Keep the product out of reach of children and do not allow it to be used as a toy.
- Damage and Disposal: Do not use the product if it is damaged. It is advisable to recycle it in accordance with local regulations.
- Intended Use: This product is designed for indirect lighting and architectural applications only.
- Liability: The manufacturer is not responsible for any damage resulting from failure to adhere to safety instructions or from misuse of the product.

RoHS

