



Meaningful Innovation.

WEEE Number: 80133970

# INSTRUCTION MANUAL

## HIDDEN TOUCH DIMMING SWITCH

### TECHNICAL DATA

MODEL	VT-2412
SKU	23465, 23466
INPUT VOLTAGE	DC: 12-24V
RATED LOAD	60W
INPUT CHANNEL	1 Channel
MAX OUTPUT CURRENT	6A
MAX OUTPUT POWER	72W/12V, 144W/24V (Max)
TYPE OF CONTROL	By Touch
FUNCTIONS	On/Off and Dimming
DIMMING RANGE	10%-100%
CABLE LENGTH	1000mm
SURFACE THICKNESS	≤25mm (Applied to chipboard)



**02** YEAR  
**WARRANTY\***

COMPATIBLE WITH  
**V-TAC LED STRIP LIGHTS**

WORKING TEMPERATURE	-20°C to +40°C
IP RATING	IP20
MATERIAL	XXXX
DIMENSION	XXxXX mm

### INTRODUCTION & WARRANTY

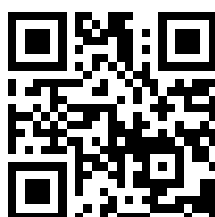
Thank you for selecting and buying V-TAC product. V-TAC will serve you the best. Please read these instructions carefully before starting the installation and keep this manual handy for future reference. If you have any another query, please contact our dealer or local vendor from whom you have purchased the product. They are trained and ready to serve you at the best. The warranty is valid for 2 years from the date of purchase. The warranty does not apply to damage caused by incorrect installation or abnormal wear and tear. The company gives no warranty against damage to any surface due to incorrect removal and installation of the product.



Caution, risk of electric shock.



This marking indicates that this product should not be disposed of with other household wastes.



#### MULTI-LANGUAGE MANUAL QR CODE

Please scan the QR code to access the manual in multiple languages.



FR  
Cet appareil, ses accessoires et cordons se recyclent

À DÉPOSER EN MAGASIN

À DÉPOSER EN DÉCHÈTERIE

ou

Points de collecte sur [www.quefairedemesdechets.fr](http://www.quefairedemesdechets.fr)  
Privilégiez la réparation ou le don de votre appareil !

In case of any query/issue with the product, please reach out to us at: [support@v-tac.eu](mailto:support@v-tac.eu)  
For More products range, inquiry please contact our distributor or nearest dealers.  
V-TAC EUROPE LTD. Bulgaria, Plovdiv 4000, bul.L.Karavelow 9B

---

## WARNING

1. Please make sure to turn off the power before starting the installation.
2. Installation must be performed by a qualified electrician.
3. For indoor use only.

## DESCRIPTION

The product is a small controller with a capacitive sensor. It has two operating functions: on/off and dimming (adjusting the brightness of LED lighting) within wide ranges (10%-100%).

## ON / OFF FUNCTION

By a single quick hand touch on the surface above the mounted sensor, the LED is turned on. By a second quick hand touch on the same place, the LED lighting is turned off.

## DIMMING (ADJUSTING BRIGHTNESS)

By a long hand-touch on the surface above the mounted sensor, the brightness of the LED lighting is increased or decreased. By second long hand-touch, the brightness is adjusted at the opposite direction.

**Note:** The dimming switch is intended exclusively for LED lighting. After a power loss and its restoration, the switch remains in the off position.

## INSTALLATION INSTRUCTIONS

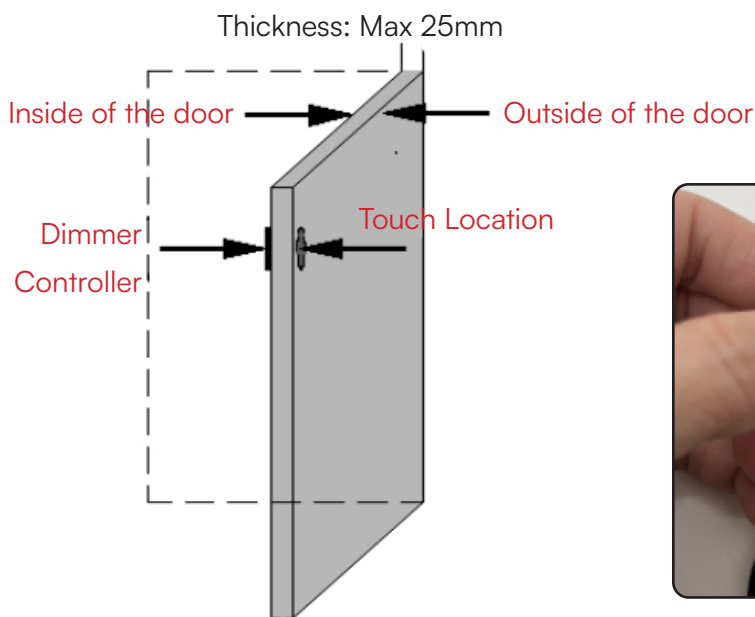


FIG 1

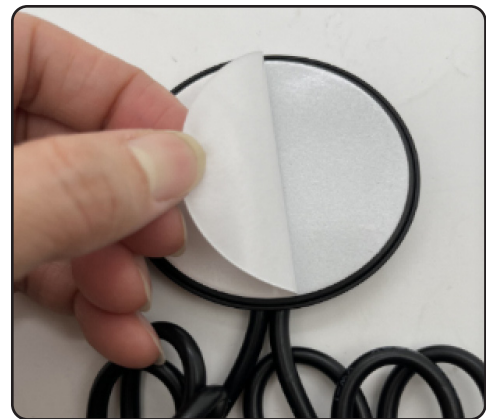


FIG 2

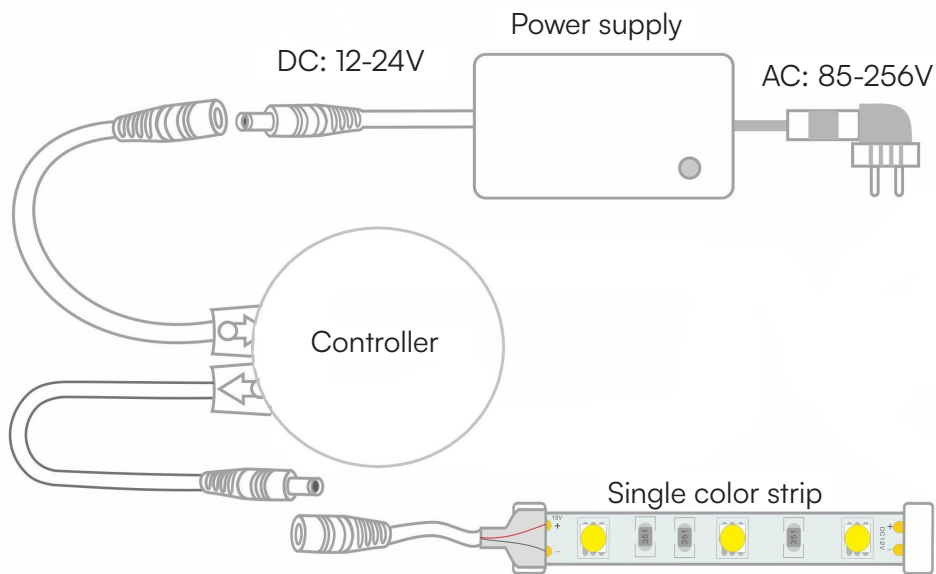
1. Clean the inside of the door thoroughly and install the controller here.(FIG 1)
2. Peel off the protective film from the adhesive sticker. (FIG 2)
3. Stick the dimming switch on the mounting surface(FIG 1)
4. Connect the OUTPUT connector to the load and the INPUT connector to the power supply for te LED lights.

### NOTE

- Must be installed on the reverse side of the mounting surface.
  - Surface thickness  $\leq 25\text{mm}$ .
  - Not suitable for installation behind mirrors or metal surfaces as it would not function.
-

---

## WIRING DIAGRAM



## NOTES

- Do not disassemble the product.
- Do not install the switch in places with high humidity.
- Use dry cloth, never a cleaning agent.
- Replace the whole set in case of malfunction.
- Ensure cooling to prevent a risk of fire.
- The maximum thickness of 25 mm is for mounting surfaces made of chipboard.
- The switch is not suitable for mirrors and metal surfaces.

RoHS



UK  
CA

