

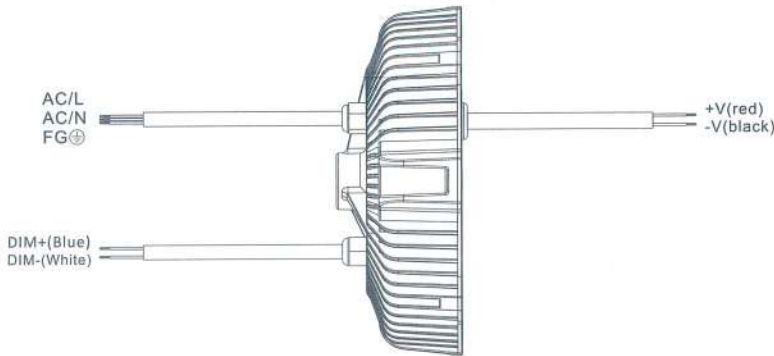
V-TAC[®]

INNOVATIVE LED LIGHTING

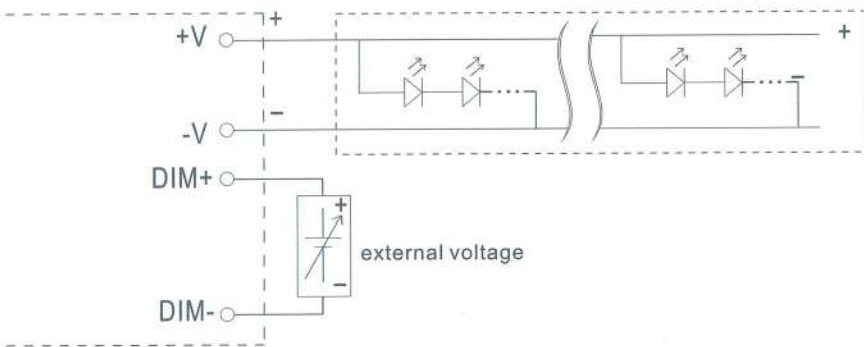
LED Highbay Light



0-10V Dimmable Driver



- Contact DIM+and DIM- with 0-10V dimmer
- DIM+,DIM can't be connected with 230V voltage directly .



Can't contact "DIM-" with "-V"

